

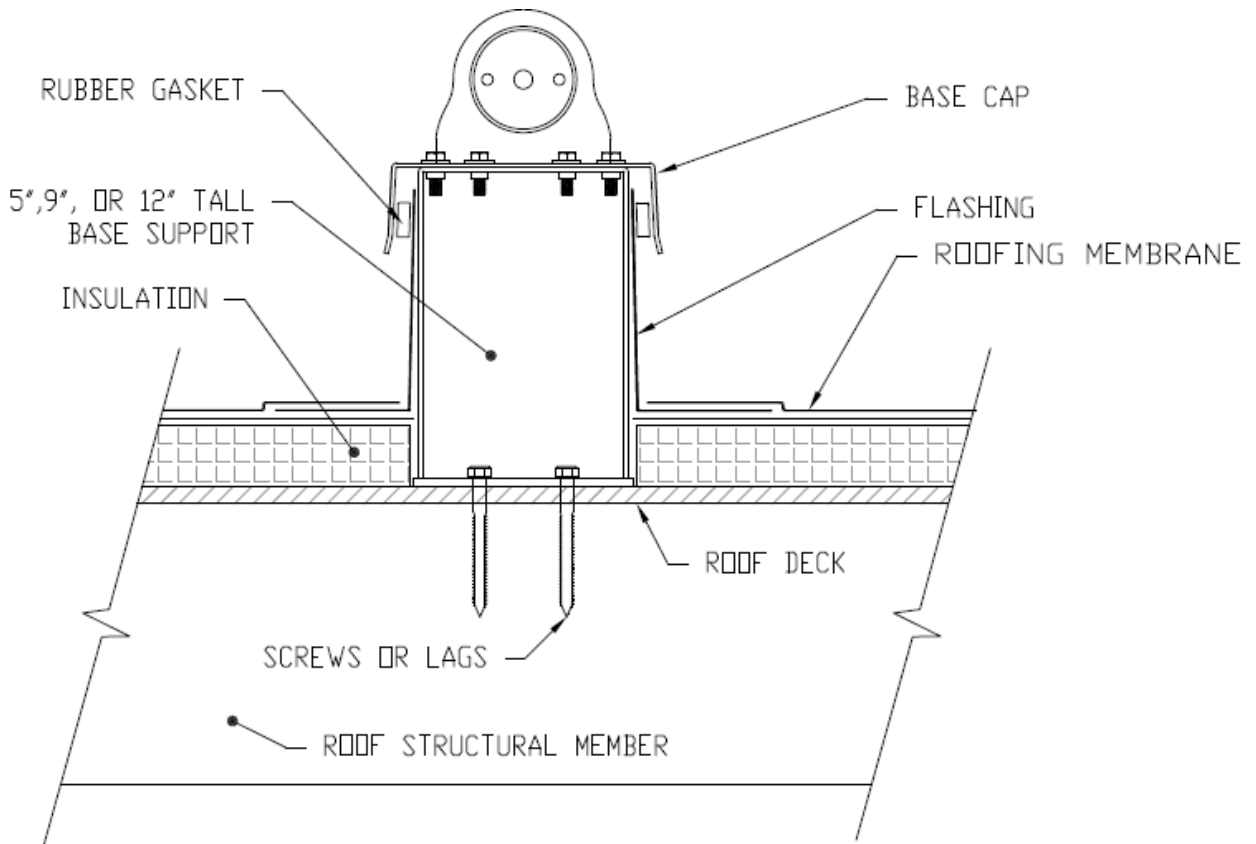
Toll Free 877-765-2759

www.silverbacksolar.com

Roof Flashings

Silverback offers several types of flashings to properly roof the Base Supports. The type of flashing recommended is based on the height of the Base Support, type of roofing system used and the thickness of rooftop insulation.

The flashings are designed to fit precisely over the Base Supports with the base flange on top of the insulation, and the top of the riser at or near the top of the Base Support.



Recommended Flashing Options

Roofing Type	Structure Type	Rooftop Insulation	5" tall Base Support	9" tall Base Support	12" tall Base Support
Built up roofing	Wood	0"	Use 5" S.S. Part number F10	Use 9" S.S. Part number F11	N/A
Built up roofing	Steel or concrete	0"	Use 5" S.L. Part number F12	Use 9" S.L. Part number F13	N/A
Built up roofing	Any type	.25" - 2"	Use 5" S.L. Part number F12	Use 9" S.L. Part number F13	N/A
Built up roofing	Any type	2" - 3"	Use 5" S.L. Part number F12	Use 9" S.L. Part number F13	N/A
Built up roofing	Any type	3" - 4"	N/A	Use 9" S.L. Part number F13	Use 9" S.L. Part number F13
Built up roofing	Any type	4" - 6"	N/A	Use 5" S.L. Part number F12	Use 9" S.L. Part number F13
Built up roofing	Any type	6" - 7"	N/A	N/A	Use 9" S.L. Part number F13
Built up roofing	Any type	7" - 9"	N/A	N/A	Use 5" S.L. Part number F12
TPO single ply	Any type	0" - 9"	Use TPO Boot 10". Part number F14	Use TPO Boot 10". Part number F14	Use TPO Boot 10". Part number F14
EPDM single ply	Any type	0" - 9"	Field-wrap by others or use S.S. Flashing. See notes	Field-wrap by others or use S.S. Flashing. See notes	Field-wrap by others or use S.S. Flashing. See notes
PVC single ply	Any type	0" - 9"	Use PVC Boot 10" Part number F18	Use PVC Boot 10" Part number F18	Use PVC Boot 10" Part number F18
Sprayed foam	Any type	0" - 9"	Please see notes	Please see notes	Please see notes
Metal roofing	Any type	0" - 9"	Part number F16 Please see notes	Part number F16 Please see notes	Part number F16 Please see notes

5" & 9" S.S. .020 Stainless steel riser and roof flange. The riser portion has horizontal scored lines 1" O.C. from the top to allow height adjustments by snipping the corners of the riser at the correct height, and breaking off the tabs by bending them back and forth. These S.S. type flashings with stainless roof flange are useful when the flange can be nailed down to the roof (i.e. wood structure), or when the roofing system will be adhered to the flange.

5" & 9" S.L. .020 stainless steel riser and 4lb lead roof flange. The riser portion has horizontal scored lines 1" O.C. from the top to allow height adjustments by snipping the corners of the riser at the correct height, and breaking off the tabs by bending them back and forth. Use this flashing when the flange cannot be nailed down (i.e. over rooftop insulation or on concrete deck). The lead flange sits on top of the insulation and can be roofed in to the roofing system without nailing.

TPO Single Ply: We offer fitted flashing boots for Carlisle and Firestone TPO roof systems. The standard height is 10" and can be cut down to accommodate insulation thickness. An optional method on TPO is to field wrap the Base Support using standard methods recommended by the roofing material manufacturer.

PVC Single Ply: We offer fitted flashing boots for Firestone PVC roof systems. An optional method on PVC is to field wrap the Base Support using standard methods recommended by the roofing material manufacturer.

EPDM Single Ply: We do not offer a prefabricated flashing for EPDM. Our recommendation is to have the roofing installers field wrap the Base Supports using standard methods recommended by the roofing material manufacturer. Alternatively, some roofers prefer to use our S.S. (all stainless steel) flashing, and adhere the roofing membrane to the flange of the stainless flashing using peel-and-stick tape recommended and provided by the roofing system manufacturer.

Sprayed Foam: Foam roofing can be sprayed up against the Base Supports without the use of flashings. Reinforcing membrane along with the final coating of the roofing system should be wrapped up to the top of the Base Support. Alternatively, our S.S. (all stainless steel) or S.L. (stainless riser with lead base) could be used for added waterproofing security.

Metal Roofing: There are many types of metal roofing systems, and many ways of flashing around penetrations depending on the manufacturer of the metal roofing and the type of system used. Typically, the metal roofing is cut out around the Base Support location allowing the Base Support to attach to the structural member below. The method of flashing could be a custom field fabricated saddle integrated into the metal roofing seams (similar to a skylight saddle). Alternatively, it could be flashed with a #6 Dektite rubber boot part # F16. (please see http://dev.silverbacksolar.com/docs/silverback_flex_flash.pdf for more information on this method).

Tapered Insulation: When the rooftop insulation tapers, it can be a challenge determining the correct flashing height to use. The best method is to overlay the RoofScreen frame layout over the tapered insulation plan (if available). The thickness of insulation at each Base Support location can then be determined, and the flashing selection table can be used. If a tapered insulation plan is not available, it may be necessary to core the roof at the Base Support locations to determine thickness.

Note: These flashing types and applications are only recommendations. Please verify the method and material type with the roofer and manufacturer of the roofing system being used.